

MODEL

Description: Shower Tray Waste
Barcode: 5056634504174

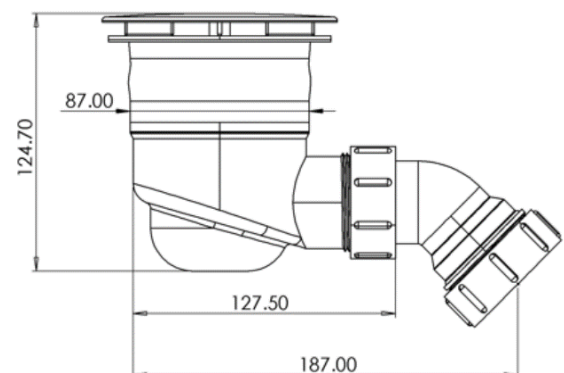
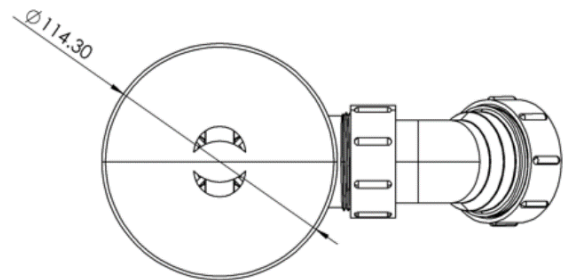
GENERAL

Category: Accessories
Sub Category: Shower Waste
Related Standard(s) CE: EN 274-1:2002
DOC ref: DOC-KT-1017A
Related Standard(s) UKCA: BS EN 274-1:2002
DOC ref: DOC-KT-1017B
WRAS Approved: No
WRAS No: n/a
Other: n/a
No: n/a



SPECIFICATION

Colour / Finish: CHROME
Construction Material (Kitchens): Rubber & Polypropylene
Product Type: Shower Tray Waste
Waste Type: Fast Flow
Trap Type: Shower
Waste Size: 90 mm
Connection type: n/a
Outlet Thread size: 40mm (1 1/2")



The information contained on this page was correct at date of issue. Fitting dimensions are provided as a guide only. Some variation may occur due to manufacturing tolerances.