



Applications

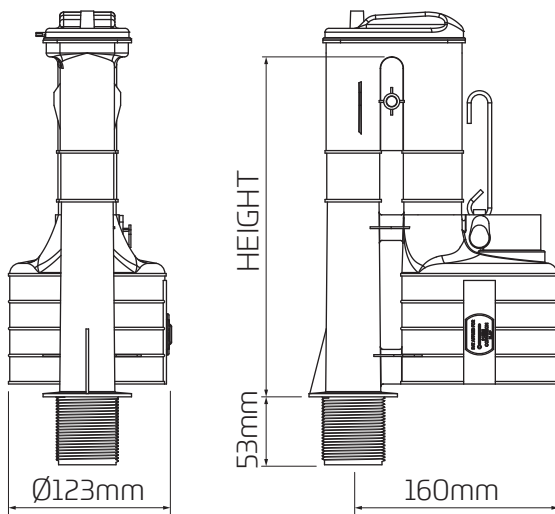
Ideal for use as a replacement in most low and high level cisterns.

Features

- ~ 6/7/9 Litre convertible flush volume
- ~ Range of syphon sizes available
- ~ WRAS Approved.



Dimensional Data



Scope of Supply

Height mm

191 (7½")

203 (8")

229 (9")

Technical Data

Outlet	1½" BSP (48mm)
Flush Volume	6/7/9 Litre Monoflush
Sizes	191mm (7½"), 203mm (8"), 229mm (9")
Cistern Type	Low Level, High Level